

E+S Trench shoring systems / Sliding rail systems

Head shoring with sheet piles



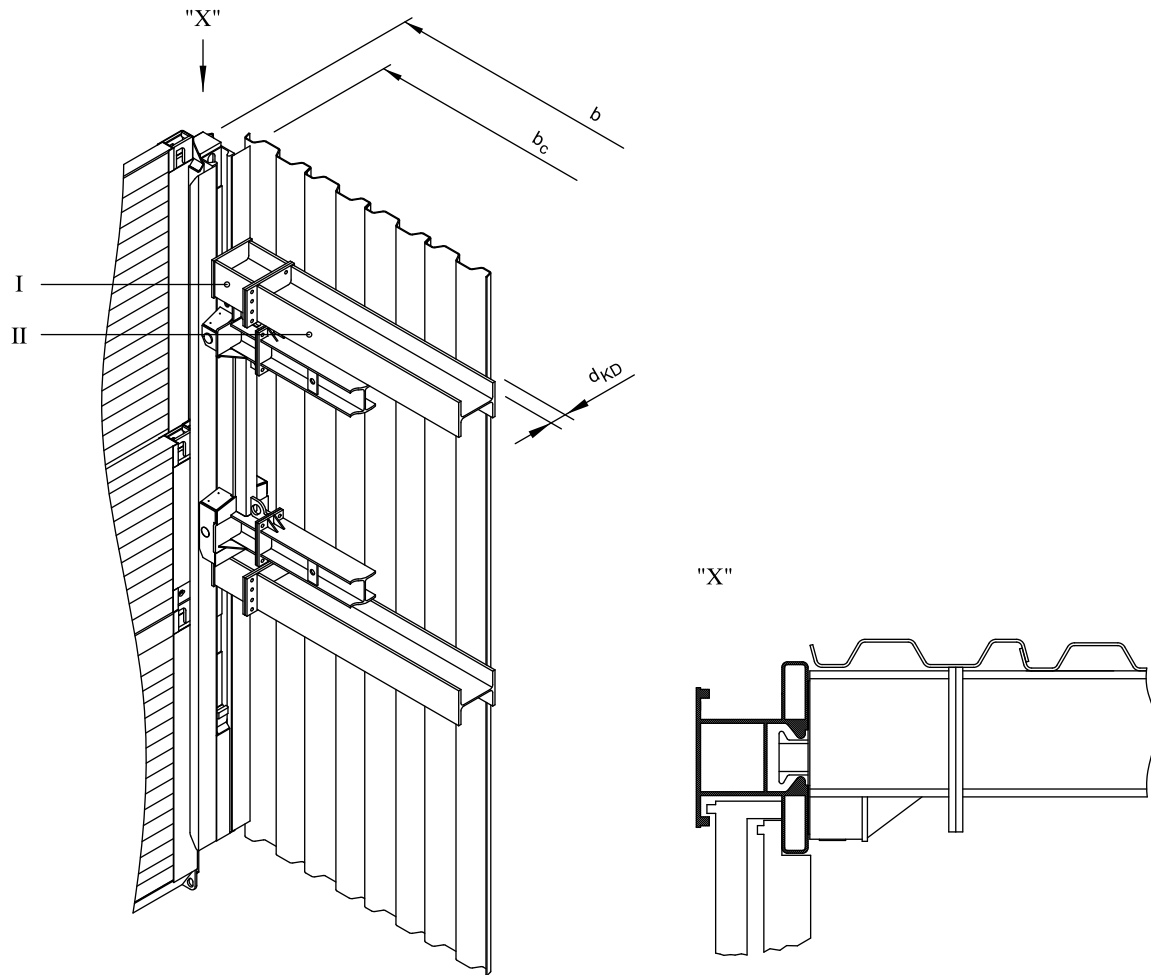
↑ *Head shoring with sheet piles*

This end-of-trench shoring is necessary if the width of the shored pipe trench will no longer accommodate any standard end-of-trench panels.

Since the piles must never be supported by the spreader system of our shoring, the loads of the placed / driven

sheet piles are discharged with special extendable cross girders mounted in the vertical shoring rail. This end-of-trench shoring is recommended particularly in pressing pits. The sheet piles serve here as the abutments for the driving machine and also create an opening for the insertion of the pipe.

Head shoring with sheet piles



- I Adapter for head shoring
- II Extension bar
- b Shoring / trench width

- b_c Inner width
- d_{KD} Thickness sheet pile

↑ Head shoring with sheet piles

(All dimensions in mm)

Head shoring with sheet piles

Adapter for head shoring

Art. No.	l [m]	G [kg]
899 994	0,45	132,0

Extension bars

Art. No.	Short description	l [m]	b _c [m]	G [kg]
830 800	Extension bar HEA 360	0,550	1,450	114,0
830 810	Extension bar HEA 360	1,650	2,550	240,0
830 830	Extension bar HEA 360	2,200	3,100	304,0
830 833	Extension bar HEA 360	2,475	3,375	340,0
830 835	Extension bar HEA 360	3,100	4,000	412,0
830 834	Extension bar HEA 360	3,162	4,062	420,0
830 836	Extension bar HEA 360	3,300	4,200	436,0
830 837	Extension bar HEA 360	3,400	4,300	447,0
830 840	Extension bar HEA 360	3,575	4,475	468,0
830 843	Extension bar HEA 360	3,715	4,615	485,0
830 845	Extension bar HEA 360	3,850	4,750	500,0
830 850	Extension bar HEA 360	4,400	5,300	561,0
830 855	Extension bar HEA 360	4,950	5,850	626,0
830 857	Extension bar HEA 360	5,500	6,400	693,0
830 860	Extension bar HEA 360	6,050	6,950	758,0
830 880	Extension bar HEA 360	7,700	8,600	948,0

Accessories / Spares

Art. No.	Short description	l [m]	G [kg]	d [m]	Standard
IB 0470F	Screw M 24 x 80		0,4		DIN 933
IA 0150F	Nut M 24		0,1		DIN 934

l	Length	b _c	Inner width
b	Shoring / trench width	G	Weight