

Associated products

Container for decentralized waste disposal



↑ Container for decentralized waste disposal

The use of model 70 self-tipping container in a wide variety of industries testifies to its versatility in the transportation of bulky or liquid goods.

To unload the container's contents, the driver merely has to drive the container with the front skid against the sideboard of a truck or another collection container. The tipping mechanism combined with the container's centre of gravity is designed to facilitate the emptying of the entire

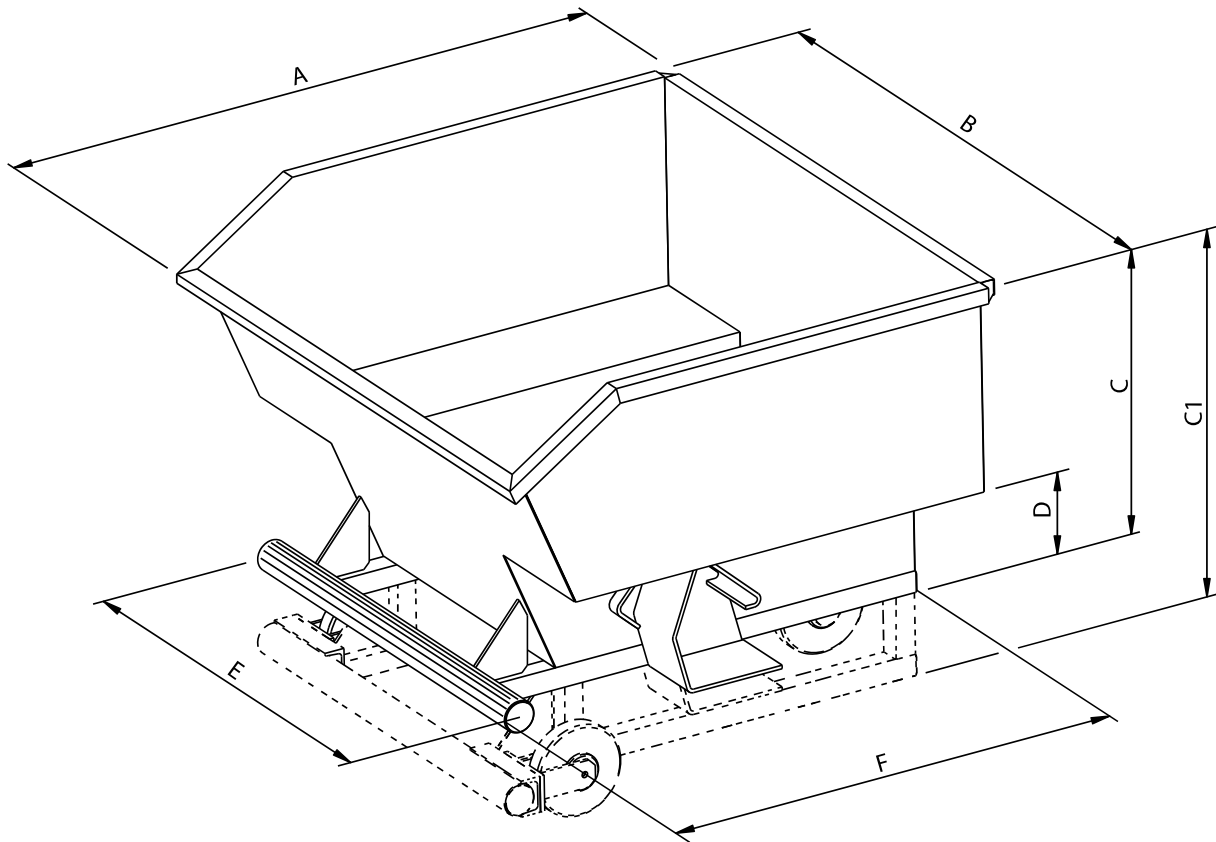
contents and the pivoting of the empty container back into its original transport position on the forklift truck's sleeves. This procedure is maintenance-free and does not demand any further involvement by the operator.

Another advantage is that several containers can be stacked one on top of the other. The container can also be fitted with polyamide wheels. Other volumes and customized dimensions are available on request.



↑ Container for decentralized waste disposal in action

Container for decentralized waste disposal



Model	A	B	C	C1	D	E	F
	[mm]	[mm]	[mm]	[mm]	[mm]	[mm]	[mm]
I	1100	783	702	-	390	566	890
II	1010	1062	892	-	445	806	855
III	1205	1272	747	927	280	856	1040
IV	1520	1313	1000	1195	400	856	1170

↑ Dimensions of container for decentralized waste disposal

Technical Data

Art. No.	Short description	Model	G [kg]	Loading [kg]	Contents [l]	Fork width [mm]
885 100	Container for decentralized waste disposal	I	108,0	3000	325	400
885 200	Container for decentralized waste disposal	II	128,0	3000	520	620
885 300	Container for decentralized waste disposal	III	155,0	3000	737	680
885 400	Container for decentralized waste disposal	IV	183,0	3000	1233	680